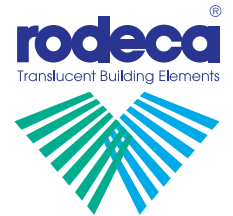


Your specialist for translucent building elements



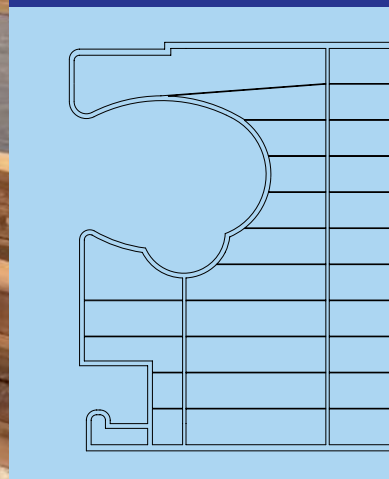
SUNPLASTECNIC
suministros plásticos técnicos



Technical manual



60



ISOCLEAR 2560-12

Translucent Building Elements made of
Polycarbonate for seamless glazings

System PC 2560-12 | PC 2560-12 AF 60 | PC 2560-12 AF 120



General information

on translucent building elements of Polycarbonate

The raw material

Polycarbonate (PC) is a crystal clear, high impact thermoplastic.

Advantages

- Temperature resistance between -40 to +115°C, temporarily up to +130 °C
- High impact resistance nearly unchanging within these temperatures
- Good long term performance through UV protection

UV co-extrusion

With this technique a high concentrated UV protection film is homogeneously melted onto the basis material while production process.

This offers the following advantages:

- No adhesion problems of UV protection film
- Same temperature behaviour of base and UV material
- No impairment of high impact (like e.g. with coated or painted surfaces)
- Makes small cold bending radiuses possible.
- Better resistance against environmental influences and ageing.
- The thickness of the Coextrusion layer may influence the colouring.

Outside Performance

Through the coextruded UV-protection film – which is always applied on the outer wall and if desired (surcharge) for some of the products is also available both-sided – our products offer best weather resistance and very good long term performance.

Warranty

Rodeca offers 10 years warranty (according to written warranty) to its uv-coextruded products regarding to **yellowing index – ageing – hail**

Light transmission

Customized on project demand RODECA can produce products with light transmission from almost 0% up to 80% light transmission (depending on material thickness and number of layers). Due to in-house compounding and raw material refineration special requests and colours can be realized. Please inquire the project demands which vary from our standards.

G-Value (Solar gain value)

The G-values are related to light transmission and U-value. G-values can differ from product specification to product specification from 0.68 down to 0.25!

Up-values and Uf-values (heat transmission coefficient - $U_p=U\text{-value panel}$; $U_f =U\text{-value frame}$)

Throughout the multi-walled design of our translucent building elements translucent facades with thermally broken aluminium profiles can be designed according to the requirements on Heat Insulation Ordinance according to EnEV 2009.

UV transmission

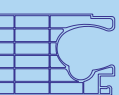
UV-radiation is stopped almost to 100% up to 380 Nm because of high UV-stabilization with coextruded UV-protection. The remaining transmission in the area of UV radiation is less than 1%. This property can be very important for UV sensitive goods.

IR-radiation transmission

Our panels with HEATBLOC-surface let through day light and reflect and stop at the same time selectively the heating radiation. The effect is cooler rooms through lower solar gain values.

Reflection of radar radiation

In the near of radar-units (e.g. at airports) it is important to have none or minimized influence through building elements. RODECA products do not have influence on reflection and do not affect radar-units.



General information

on translucent building elements of Polycarbonate

Service temperature

Service temperature is between minus 40 °C up to plus 115 °C (temporarily up to 130 °C). Please take into consideration service temperature especially with rain screen claddings respectively the use of dark foils for deposition of translucent building elements. Adequate distances and sufficient ventilation need to be considered in planning. That way danger of heat accumulation and associated deformations can be avoided.

Thermal properties

The high deformation resistance from shortly up to 130 °C is one of the advantages which RODECA products with coextruded surface offer. RODECA products can be used in spaces where other thermoplastics cannot be used anymore. Interesting to know is that white surfaces on roof applications already can heat up to +100°C. (It is essential to respect thermal expansion/shrinking of polycarbonate and to avoid heat accumulation.)

Colouring

The usual colours are:

- **CLEAR** with structure for panels for higher light transmission, light refraction. Additionally the surface is less sensitive to scratches.
- **OPAL** for optimized diffused light.
- **COLOR** Series - transparent or semitransparent COLOURS, similar to RAL from approx. 300 m² on request
- **BICOLOR** Series - two coloured finish, inner wall coloured, similar to RAL from approx. 150 m² on request
- **DUOCOLOR** - two coloured finish of translucent building elements custom made in transparent or semitransparent COLOURS similar to RAL from approx. 300 m² on request
- **DECOCOLOR** - two coloured finish, outer wall coloured, similar to RAL from approx. 150 m² on request

Qualities

Depending on application area and demand RODECA produces different qualities.

- **ONGLIFE** quality for one sided UV protection. The terms can be extracted from our 10 years warranty declaration for LBE, MFP and U-Panels "longlife"
- **ONGLIFE PLUS** quality for one sided UV protection quality for special requirements. The terms can be extracted from our 10 years warranty declaration for LBE, MFP and U-Panels "longlife plus".

Impact resistance/fracture behaviour

RODECA products made of PC are due to the raw material practically indestructible through beat, impact, stone throwing etc. Polycarbonate is 200 times more impact resistant than glass.

Polycarbonate building elements do not splinter and comply with German regulations on workplaces (Arbeitsstättenverordnung).

Hail resistance

Currently doesn't exist a DIN standard, so our RODECA elements were tested at EMPA (Swiss testing laboratory) with a simulated hail test with a shot radius of 20 mm and no holes occurred. According to the current testing results we achieve the highest class (class 5) of the Swiss hail test with factory-new goods.

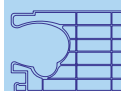
Ball rebound safety

Even an ice hockey puck hurled against the element at 130 km/h could not cause damage.

Unlimited ball rebound safety thus applies according to DIN 18032 T 3.

Fire resistance

Polycarbonate has a very high ignition temperature of approx. 450 °C and in case of fire the smoke development is very little. RODECA products are classified according to the European standard DIN EN 13501 and are classified as hardly inflammable. Additionally the fire resistance of our products is classified according to various national standards. Please inquire the test certificates when needed.



General information

on translucent building elements of Polycarbonate

Melttable area according to DIN 18234

In many cases RODECA panels are used as melt-surface because their softening point is below 300°C.

Sound insulation

Polycarbonate panels have despite their light weight a good sound insulation value up to 27 dB according to DIN EN ISO 140-3 in testing facility. With a double wall construction a value of up to 43 dB is achievable. This value refers to the value that the panel achieves on its own, due to constructive conditions this value may differ.

Chemical resistance

PC elements possess a very high resistance to chemicals but can be affected through some chemical bounds. Chemical resistance of polycarbonate against other used chemicals has to be checked by customer on site. This is especially important for cooling substances, lubricants, surfactants, sealants, ammonia, etc. A policy on the compatibility of polycarbonate with chemicals can be found i.a. at <http://www.buerkle.de/en/knowhow/information/chemical-resistance.html>.

Painting

In case that the polycarbonate panels for advertising reasons or similar will be painted or screen printed the compatibility of the painting system needs necessarily be tested from customer before use. The aluminium frame profiles can be powder coated according to the project needs. Additionally RODECA offers the possibility to deliver TPE gaskets in custom made colours.

Vinyl wrap

For advertising purposes large scale letters can be glued onto the panels' surface. It is important that the foil and the glue doesn't contain substances which harm and affect polycarbonate. Please clarify before usage with the vinyl wrap supplier or the advertising company if the ingredients/glues of the foil intended to use are compatible with polycarbonate.

Cleaning/Maintenance

For durable maintenance of technical and visual properties a regular care, maintenance and cleaning of the translucent building elements is mandatory. The cycle of care, maintenance and cleaning depends on the particular building site and the usage conditions. Cleaning of translucent building elements: Water with a small percentage of neutral cleaning agents. No use of glass cleaner, rubbing agents or sharp edged subjects. No alkaline or tensile agents to be used.

Storage/Transport

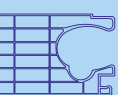
RODECA panels made of polycarbonate have to be protected before sun and wet conditions before installation and must be stored on a plain and even underground. In case of non-observance stock damages may occur. The stacking height of translucent building elements shouldn't exceed 200 cm.

Packaging

The translucent building elements are delivered – depending on the finish – with one-sided or both-sided protective foil. The delivery is carried out – depending on length – from one to four pieces for hand unloading in a recyclable plastic wrapping or on pallet (for forklift unloading). Please unpack briefly before installation to avoid contamination in the hollow chambers. The protective film must be removed after processing and installation. If the Translucent Building Elements are provided with both-side protective film, the protective film on the interior side is applied as transport protection.

Processing

The Polycarbonate Elements can be smoothly cut with common tools, e.g. pad saw (saw blade with fine indentation) Incidental shavings are to be removed with oil free and water free compressed air. Drill holes (preferably steel-, twist drill or wedge angle drill) need to be at least 40 mm away from elements side and always minimum 50% larger than the screw radius (because of expansion and shrinking due to temperature).



General information

on translucent building elements of Polycarbonate

Expansion/Shrinking

The expansion coefficient of polycarbonate is 0,065 mm per °C and per m and hence three times as high as the expansion coefficient of aluminium.

Rule of thumb: 3mm per m for 50 °C difference in temperature. Due to temperature differences the length and width of the panel change. The changes in length of the panel need to be considered constructional. RODECA has considered the length expansion in its system accessories. Thermally caused corrugations can not be excluded completely.

Sealing

Sealings and sealing tapes need to be polycarbonate compatible and approved for usage from respective producer otherwise damages on the panels are possible.

Silicone: Must be absolutely neutral and solvent free, e. g. RODECA PC-Silicone 2001. The aluminium profiles need to be protected (according to state of the art technique) against galvanic corrosion and an adequate sealing of building has to be done.

Condensation

Polycarbonate is a material that is permeable for vapour diffusion so that condensation may occur. This is not a quality defect. Depending from weather/climate this appearance is of temporary nature which is directly linked to temperature and humidity. Condensation doesn't effect the quality of the panels.

Formation of algae

Algae can just occur in connection of dirt and humidity. Taping of the polycarbonate panels prevents appearance of dirt while stocking and transport.

Sealing of panel ends

The ends of the panels must be closed before installation - directly after unpacking - with suitable sealing to avoid dust and dirt in the chambers.

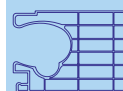
With a sealing that is permeable for vapour diffusion (or permeable to water) you run risk that dust, diesel exhaust particulates, gases or other fine particles can diffuse into the panel chambers. For projects with increased particulate matter emission respectively environmental pollution are additionally precautions to be taken. With a joint sealing and additional sealing methods the optical properties of the translucent building materials can be maintained. Every element needs to be sealed singularly. A general recommendation for sealing of panel ends can't be given due to the different installation situations. The complete lack of panel ends sealing cannot be recommended from our experience.

Aluminium Frame Profiles

Aluminum frame profiles shall be treated in accordance with the unloading and storage regulations. Mill finish aluminium with oxidative staining is not accepted as reclamation reason. Due to production reasons, the end faces of thermally separated frame profiles are to be trimmed by the customer. Coated or anodised frame profiles can have bores or discolourations of the clamping points of the anodizing process at the lateral ends and are to be shortened if necessary on site. This is not accepted as reclamation reason. Coated profiles can have color deviations to other components in the same color. The chemical resistance of aluminum must be observed. Care and maintenance of aluminum profiles can preserve the optical properties and texture.

Safety

The regional building regulations as well as the general safety regulations for non supporting wall and roof coverings are effective. For a perpetration (according to workplace ordinance (German „Arbeitsstättenrichtlinie“) it is mandatory to use a board of 50 cm width.



General information

on translucent building elements of Polycarbonate

Tolerances

Panels

Length + 12 mm (up to 3 m) / +0.40% of panel length (above panel length of 3 m)

Thickness \pm 0.5 mm

Width -2 mm / +6 mm

Weight - 5 %

Concavity length \pm 5 mm per linear meter of panel length

Concavity width \pm 5 mm per linear meter of panel width

Rectangularity < 5 mm per linear meter of panel length

All tolerances are based on room temperature of approx. 20 °C

Variations in colour saturation and shade between several production batches cannot be precluded (production-related). Variations are always possible and will not be accepted as reason for complaint.

Disposal of waste/Environmental protection

RODECA takes leftovers from off-cuts etc. back. Packaging is fully recyclable.

Joint permeability

Especially for large facades it is important not only to achieve a good U-value but also a product which is tested on joint permeability and complies with the required DIN values. RODECA panels fulfil this demand and passed project wise blower door tests for the whole construction.

System accessories

For almost all installation situations RODECA supplies appropriate and well engineered accessories as well as ventilation flaps and windows in many different versions.

Certification/Quality standard

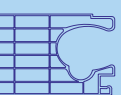
Rodeca panels are CE marked as specified by the European directive No. 305/2011 and according to the requirements of EN 16153. Beyond the performance of EN 16153 our products are certified according to several European and national standards.

If RODECA forwards building certification for translucent building elements these regulations must be complied with. Due to the not finalized harmonization of National and European norms please check whether the certifications are suitable for the particular application purpose.

Miscellaneous

Data subject to technical change.

The aforesaid information and our application technological advice in words, written and through tries, are carried out to best of one's knowledge. This information is non-binding advice even in regards to property rights of third parties. Our advice does not release you from your responsibility to proof self dependently our current advices - especially our safety data sheets and technical information - and to test if our products in regards to applicability for the intended system and use. Application, use and handling of our products – produced from you based on our application technological advice - take place out of our control and therefore you are solely responsible. The sale of our products is carried out according to our current general terms and conditions. Please check before handling if our products are applicable for the intended purpose.



Content

Technical manual LBE 60mm

Stand: 05/18

• Content	87
• Product range	88
• Technical information panel 1.3.1.0 to 1.3.1.2	89
• Technical information about fastening and load capacities 1.3.2.0 to 1.3.2.1	92
• Technical information frame systems 1.3.3.0	94
• Technical information thermally broken frame system 1.3.4.0 to 1.3.4.6	95
• Technical information windowsill systems 1.3.5.0 to 1.3.5.2	102



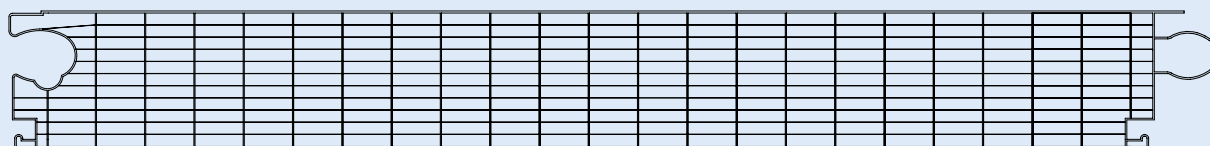
Product Range

Translucent Building Elements

Standard and Design Series

Standard – crystal and opal

PC 2560-12 ISOCLEAR Up-Value from 0.71 to 0.77 W/m²K

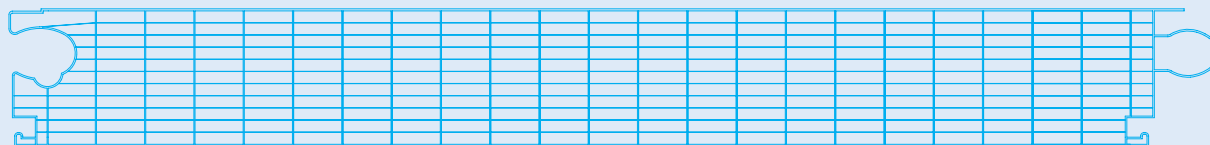


General German Building Approval Z-10.1-656

Building width 500 mm *

Design Series - COLOR

PC 2560-12 ISOCLEAR Up-Value from 0.71 to 0.77 W/m²K



General German Building Approval Z-10.1-656

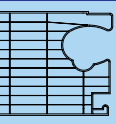
Building width 500 mm *

Minimum order quantity of 300 m² necessary.

Rodeca panels are CE marked as specified by the European directive No. 305/2011 and according to the requirements of EN 16153. Beyond the performance of EN 16153 our products are certified according to several European and national standards. Such as other national fire certifications, proof of joint tightness, certified resistance against ball and puck impact as well as hail resistance etc. corresponding to testing reports. As necessary please contact us for further certifications.

* Please note our general information regarding production tolerances

** The Up-values depend on the installation situation, for further details please check our technical manuals and the structural-physical values. It is mandatory to consider the technical datasheets to this.



1.3.1.0

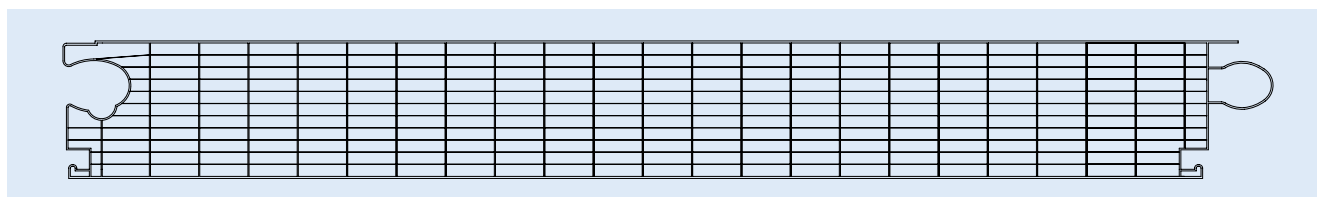
Translucent Building Elements

Product properties

Stand: 05/18

Up-Value from 0.71 W/m²K to 0.77 W/m²K

Depending on horizontal or vertical installation situation as interior or exterior application
According to DIN EN ISO 6946:2008 / DIN EN ISO 10077-2:2008



Flammability classification:
PC 2560-12 ISOCLEAR

Fire class B-s1, d0 according to EN 13501

Building width:	500 mm -2 /+6 mm
Thickness:	60 mm +/- 0.5 mm
Weight:	approx. 5.8 kg/m ²
Number of layers:	12 layers / 11 chambers
Modulus of elasticity:	2,400 N/mm ²
Coefficient of linear expansion:	0.065 mm/m/°C
UV admission:	< 1 %, wave lengths until 380 nm stopped almost a 100 %
Production tolerances:	s. General information

Versions:
Standard:

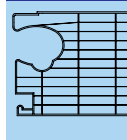
Colour: crystal, opal

Colour:



Available in any solid colour similar to RAL
The Color version can be delivered with a minimum quantity of 300 m²
without separate surcharges for colour change.

The aforesaid information and our application technological advice in words, written and through tries, are carried out to the best of one's knowledge. This information is non-binding advice even in regards to property rights of third parties. Our advice does not release you from your responsibility to proof self dependently our current advices - especially our safety data sheets and technical information - and to test our products regarding to applicability for the intended system and use. Application, use and handling of our products - produced based on our application technological advice - take place out of our control and therefore you are solely responsible. The sales of our products is effected at our current general sales and delivery conditions.



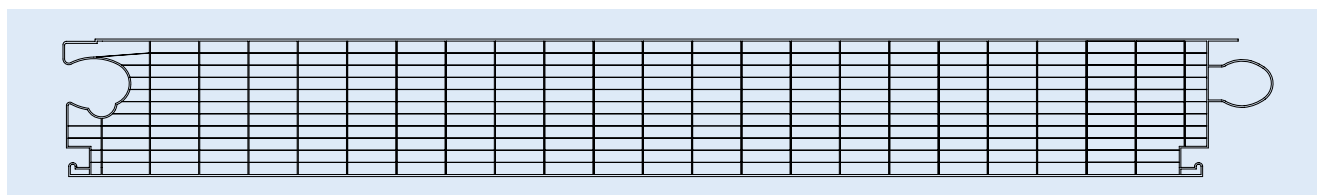
1.3.1.1

Translucent Building Elements

Product properties - Physical properties

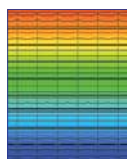
Up-Value from 0.71 W/m²K to 0.77 W/m²K

Depending on horizontal or vertical installation situation as interior or exterior application
According to DIN EN ISO 6946:2008 / DIN EN ISO 10077-2:2008



Up-Values:

Isotherm- and temperature pattern from -10 °C outside and 20 °C inside at vertical assembly



Isotherms:

Red: 13°C
Blue: 10°C
Black: 0°C

Installation situation interior:

Up-Value 0.71 W/m²K vertical
Up-Value 0.74 W/m²K horizontal

Installation situation exterior:

Up-Value 0.75 W/m²K vertical
Up-Value 0.77 W/m²K horizontal

The German building approval foresees the calculation of facade and roof areas according to the requirements of DIN 10077-2 (U_{cw}). If additional or divergent national requirements be asked to calculate the thermal protection, these must be respected.

Sound insulation:

Test report on request

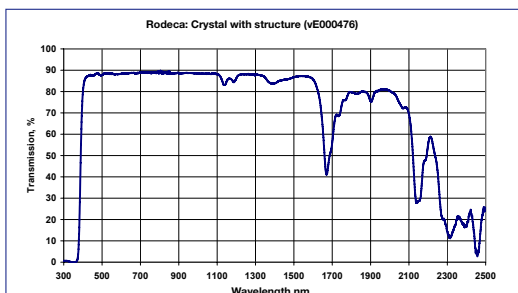
Transmission:

Standard:

Colour: crystal approx. 41 %
Colour: opal approx. 30 %

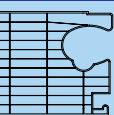
Color:

Depending on colour



The measurement of the transmission values was carried out with application of a natural day light lamp of 20,000 Lux in connection with a lux meter Lightmeter MS 1000-300 – measuring range 200 to 50,000 LUX) exemplarily on a 1 mm thick PC.

The aforesaid information and our application technological advice in words, written and through tries, are carried out to the best of one's knowledge. This information is non-binding advice even in regards to property rights of third parties. Our advice does not release you from your responsibility to proof self dependently our current advices - especially our safety data sheets and technical information - and to test our products regarding to applicability for the intended system and use. Application, use and handling of our products - produced based on our application technological advice - take place out of our control and therefore you are solely responsible. The sales of our products is effected at our current general sales and delivery conditions.



1.3.1.2

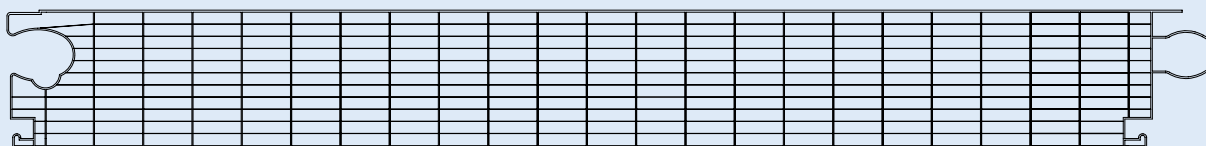
Translucent Building Elements

Product properties - Physical properties

Stand: 05/18

Up-Value from 0.71 W/m²K to 0.77 W/m²K

Depending on horizontal or vertical installation situation as interior or exterior application
According to DIN EN ISO 6946:2008 / DIN EN ISO 10077-2:2008



Solar gain values g

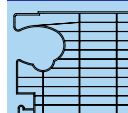
Standard:	Colour: crystal	approx. 43 %
	Colour: opal	approx. 37 %
Colour:	Depending on colour	

Flammability classifications don't have influence to the aspects of stability.

The RODECA translucent building elements in use with thermally broken or non-thermally broken frame systems have the following system names:

PC 2560-12	For single field constructions
PC 2560-12 AF 60	For two or multi field constructions with aluminium flat frame fastener in 60mm length
PC 2560-12 AF 120	For two or multi field constructions with aluminium flat frame fastener in 120mm length

The aforesaid information and our application technological advice in words, written and through tries, are carried out to the best of one's knowledge. This information is non-binding advice even in regards to property rights of third parties. Our advice does not release you from your responsibility to proof self dependently our current advices - especially our safety data sheets and technical information - and to test our products regarding to applicability for the intended system and use. Application, use and handling of our products - produced based on our application technological advice - take place out of our control and therefore you are solely responsible. The sales of our products is effected at our current general sales and delivery conditions.



1.3.2.0

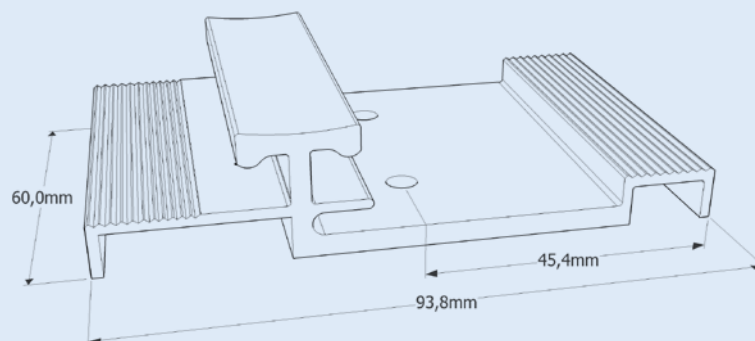
Translucent Building Elements

System PC 2560-12 AF 60 | System PC 2560-12 AF 120
Fastener

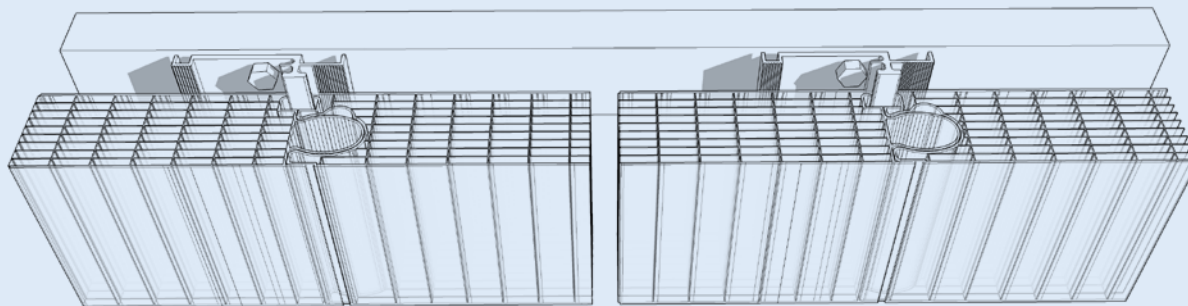
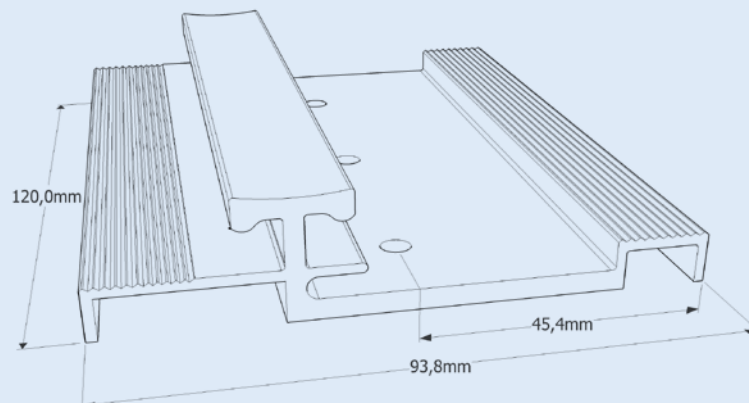
General

The RODECA flat fasteners are made of extruded aluminium profiles, afterwards cut, pierced and trovalised. The proof of applicability and the statical values are in the General German Building Approval Z-10.1-656 documented. We recommend to fix the flat aluminium fasteners with stainless steel screws without sealing discs. The fixing materials need to be chosen in type and finish adequately to substructure. The height of substructure should be not smaller than the height of the fastener.

Art.-No.: 49406060



Art.-No.: 494060120



1.3.2.1

Translucent Building Elements

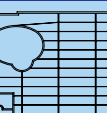
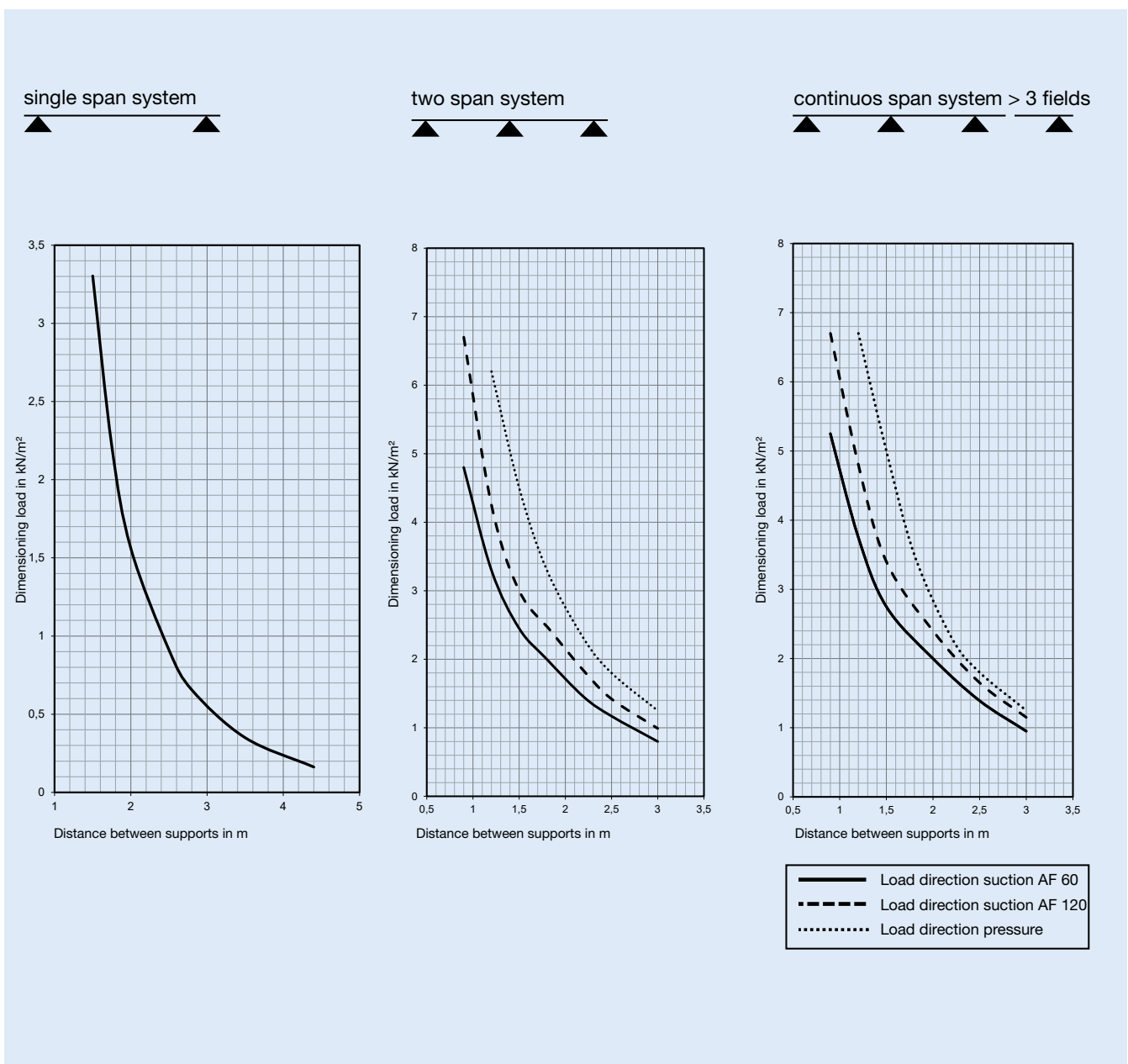
Span widths | System 2560-12

Stand: 05/18

The below diagrams show the span widths recommendations referring to dimensioning loads, where wind is considered as dominating variable action. The values are based on the General German Building approval Z-10.1-656 and are only valid in conjunction with the RODECA systems accessories.

Please note that for the structural design of the valid spans additionally to the influencing loads the correspondent national partial safety factors γ_f must be added.

The structural analysis of the span widths must be proven project-related based on the German Building approval Z-10.1-656.



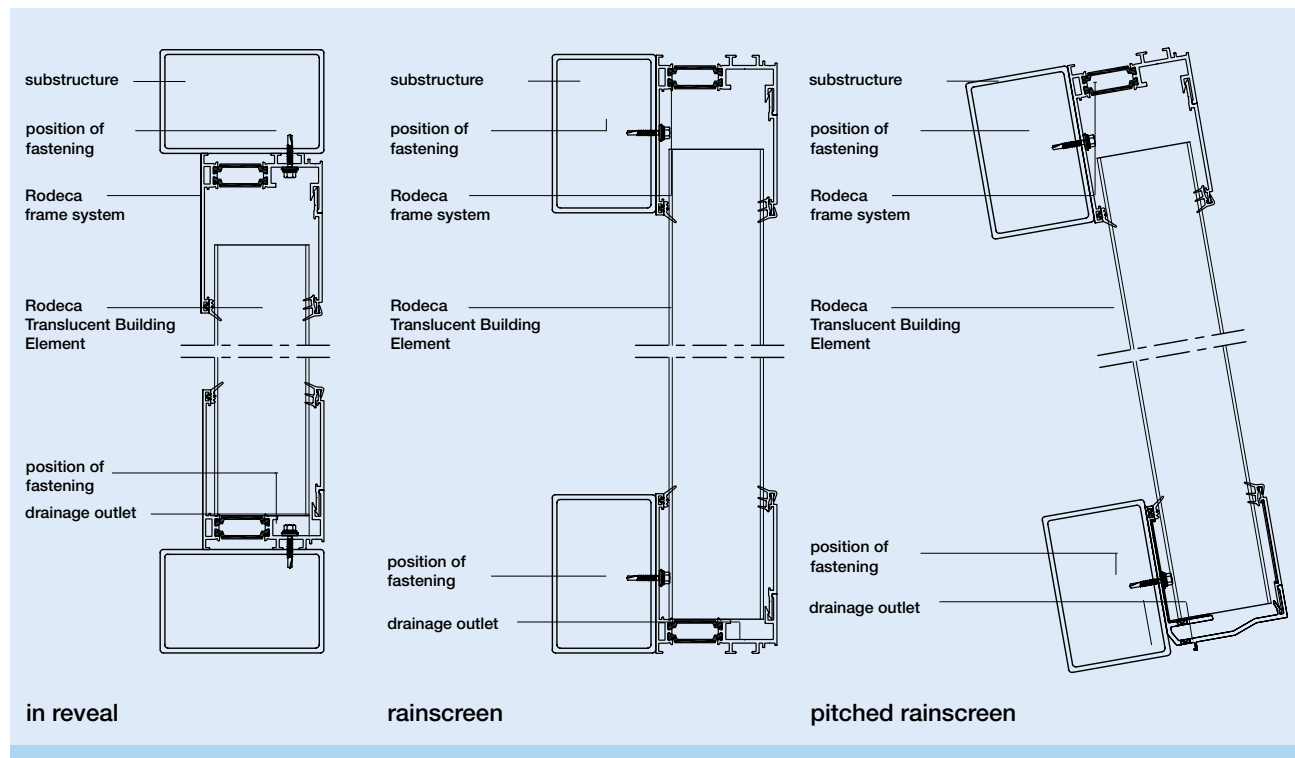
1.3.3.0

Translucent Building Elements

Frame system thermally broken

General Information

Mounting situation



General

The examples shown above illustrate the use of Rodeca frame profiles for mounting in reveal, as rainscreen or as a pitched rainscreen construction.

In all cases the sealing between frame sections, frame profile and substructure should be adapted to local conditions. The proof of aluminium profiles, their fixings and the fixing of Rodeca fasteners must be kept in an individual case. Installation of the aluminium profiles with **stainless steel screws** and sealing disc. Dimensions and size according to substructure and extract values of fixing materials. Rodeca assembly instructions must be observed.

Rodeca frame systems are made of extruded Aluminium profiles consisting of aluminium EN AW-6060, status T 66 according to DIN EN 755-2. The ribs are made of fiber glass reinforced polyamide PA 66 with fiber glass part of 25%. The gaskets are made of TPE.

Please note:

The coefficient of linear expansion for Aluminium profiles = 0.023 mm/m°C. Polycarbonate panels = 0.065 mm/m°C.

Initial lengths/-units

Aluminium profiles	6.00 m
Front plate	2.0 und 3.0 m
TPE gaskets, grey or black or special colour on request	50 m rolls
Profile connector	10 cm PU 4pcs.

Versions

Aluminium - mill finish
Aluminium - anodized E6/EV1
Aluminium - powder coated according to RAL

1.3.4.0

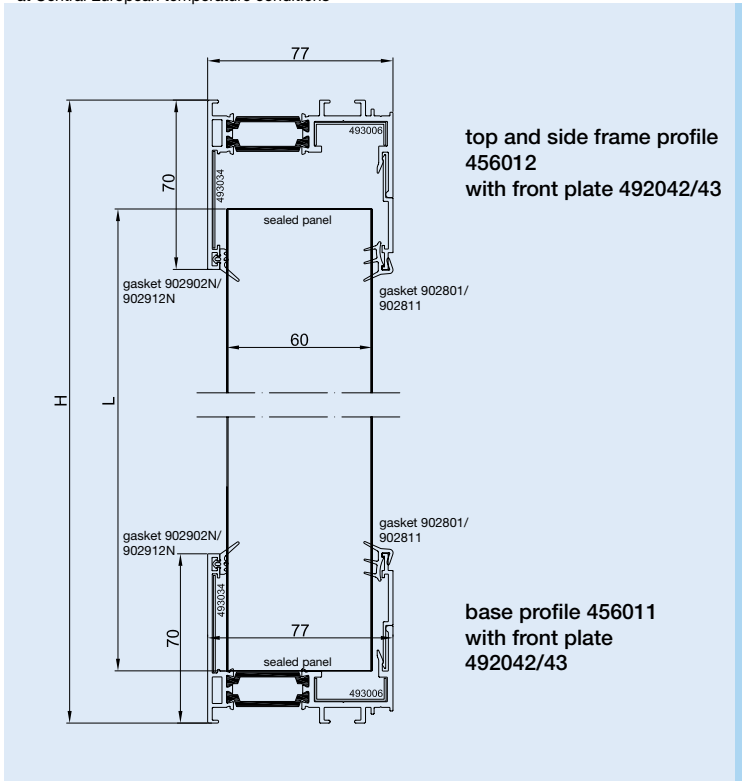
Translucent Building Elements

Frame system thermally broken
Top and base framing

Stand: 05/18

Facade 90° up to 4.5m panel length*

* at Central European temperature conditions



Top profile 456012
Base profile 456011

Article numbers

456012 = Top and side frame profile
493006 = Profile connector for 456012
493034 = Profile connector for 456012

456011 = Base profile with drainage
493006 = Profile connector for 456011
493034 = Profile connector for 456011

492042 = Front plate in L = 2.0 m
492043 = Front plate in L = 3.0 m

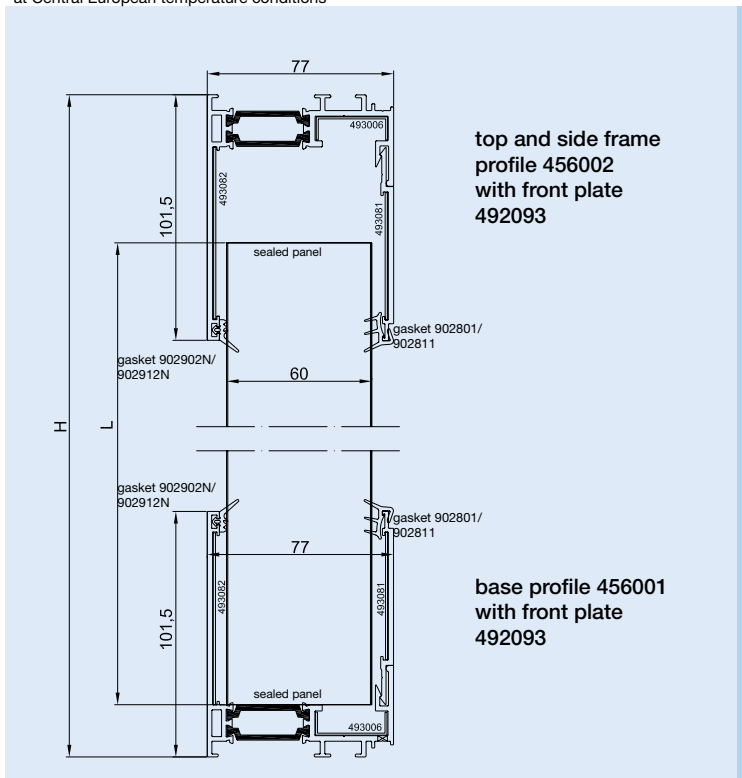
902801 = Outer plug gasket TPE grey
902811 = Outer plug gasket TPE black

902902N = Inner lip gasket TPE grey
902912N = Inner lip gasket TPE black

Calculation of panel length:
 $L \text{ in mm} = \text{Height } H \text{ in mm} - 68 \text{ mm}$

Facade 90° up to 12m panel length*

* at Central European temperature conditions



Top profile 456002
Base profile 456001

Article numbers

456002 = Top and side frame profile
493082 = Profile connector for 456002
493006 = Profile connector for 456002

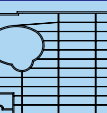
456001 = Base profile with drainage
493082 = Profile connector for 456001
493006 = Profile connector for 456001

492093 = Front plate in L = 3.0 m
493081 = Profile connector for 492093

902801 = Outer plug gasket TPE grey
902811 = Outer plug gasket TPE black

902902N = Inner lip gasket TPE grey
902912N = Inner lip gasket TPE black

Calculation of panel length:
 $L \text{ in mm} = \text{Height } H \text{ in mm} - 75 \text{ mm}$



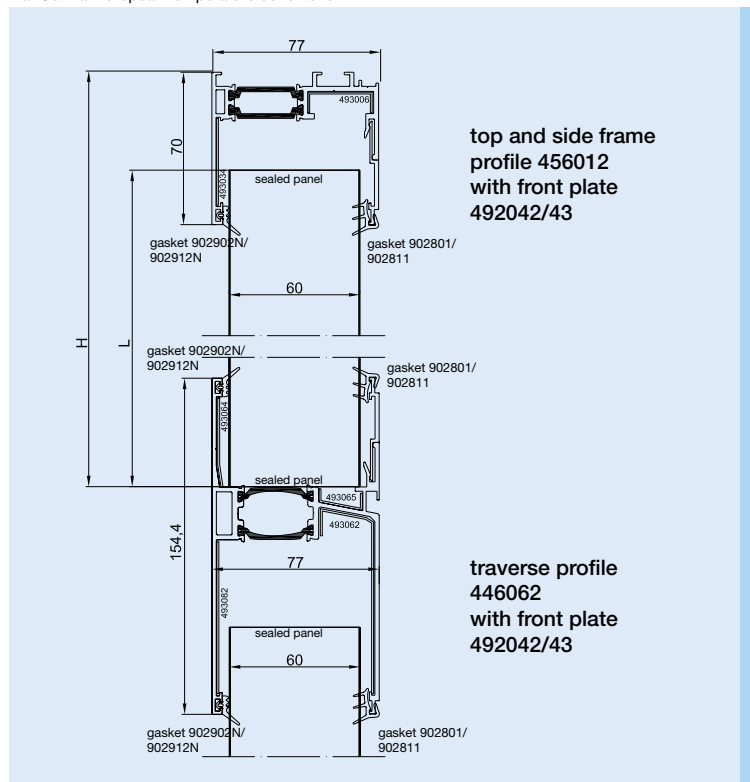
1.3.4.1

Translucent Building Elements

Frame system thermally broken
Top and base framing

Facade 90° up to 4.5m panel length*

* at Central European temperature conditions



Top profile 456012
Traverse profile 446062

Article numbers

456012 = Top and side frame profile
493006 = Profile connector for 456012
493034 = Profile connector for 456012
492042 = Front plate in L = 2.0 m
492043 = Front plate in L = 3.0 m

446062 = Traverse profile
493062 = Profile connector for 446062
493082 = Profile connector for 446062
493064 = Profile connector for 446062
493065 = Profile connector for 446062
492042 = Front plate in L = 2.0 m
492043 = Front plate in L = 3.0 m

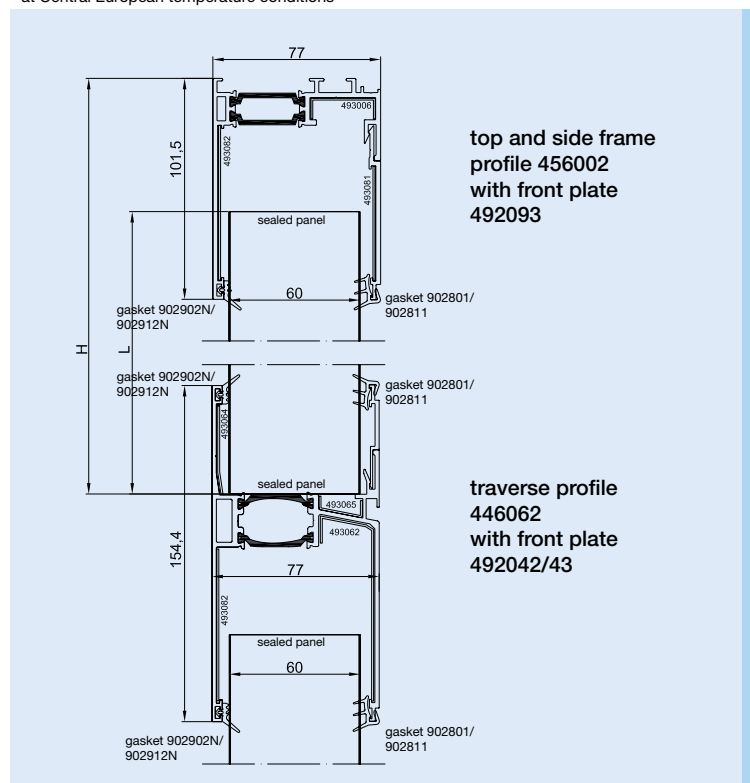
902801 = Outer plug gasket TPE grey
902811 = Outer plug gasket TPE black

902902N = Inner lip gasket TPE grey
902912N = Inner lip gasket TPE black

Calculation of panel length:
L in mm = Height H in mm - **45 mm**

Facade 90° up to 12m panel length*

* at Central European temperature conditions



Top profile 456002
Traverse profile 446062

Article numbers

456002 = Top and side frame profile
493082 = Profile connector for 456002
493006 = Profile connector for 456002

492093 = Front plate in L = 3.0 m
493081 = Profile connector for 492093

446062 = Traverse profile
493062 = Profile connector for 446062
493082 = Profile connector for 446062
493064 = Profile connector for 446062
493065 = Profile connector for 446062

492042 = Front plate in L = 2.0 m
492043 = Front plate in L = 3.0 m

902801 = Outer plug gasket TPE grey
902811 = Outer plug gasket TPE black

902902N = Inner lip gasket TPE grey
902912N = Inner lip gasket TPE black

Calculation of panel length:
L in mm = Height H in mm - **55 mm**

1.3.4.2

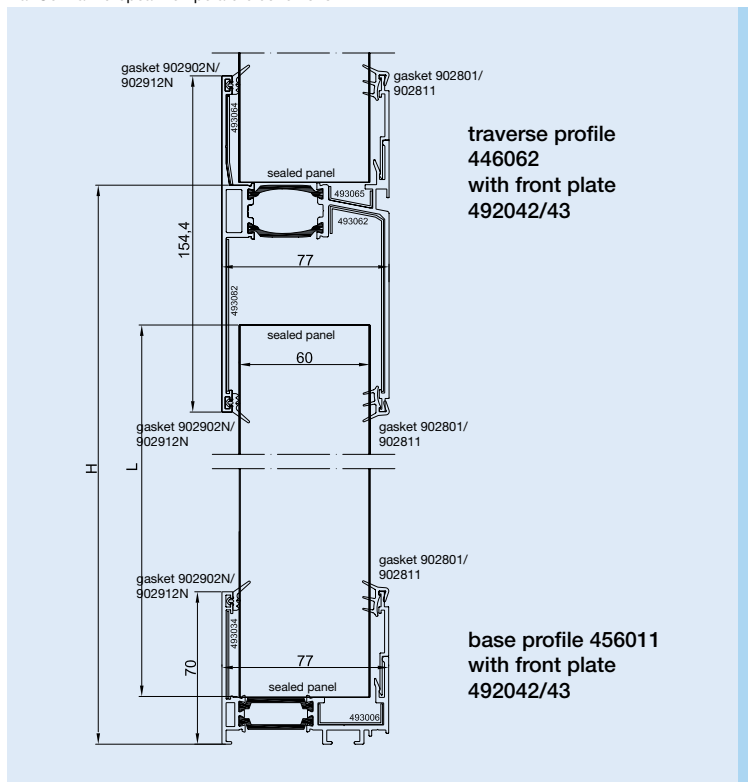
Translucent Building Elements

Frame system thermally broken
Top and base framing

Stand: 05/18

Facade 90° up to 12m panel length*

* at Central European temperature conditions



Traverse profile 446062
Base profile 456011

Article numbers

446062 = Traverse profile
493062 = Profile connector for 446062
493082 = Profile connector for 446062
493064 = Profile connector for 446062
493065 = Profile connector for 446062
492042 = Front plate in L = 2.0 m
492043 = Front plate in L = 3.0 m

456011 = Base profile with drainage
493006 = Profile connector for 456011
493034 = Profile connector for 456011

492042 = Front plate in L = 2.0 m
492043 = Front plate in L = 3.0 m

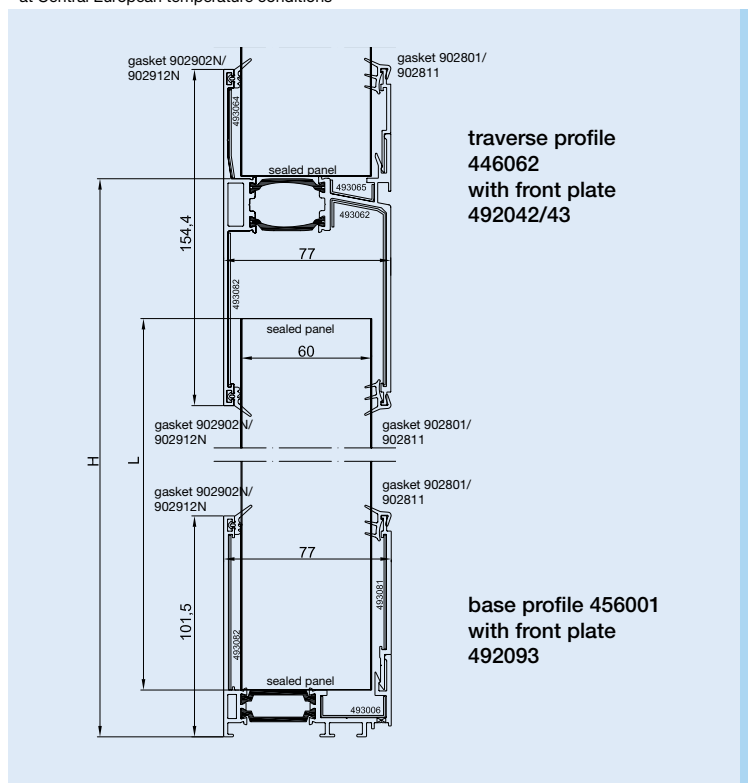
902801 = Outer plug gasket TPE grey
902811 = Outer plug gasket TPE black

902902N = Inner lip gasket TPE grey
902912N = Inner lip gasket TPE black

Calculation of panel length:
L in mm = Height H in mm - 80 mm

Facade 90° up to 12m panel length*

* at Central European temperature conditions



Traverse profile 446062
Base profile 456001

Article numbers

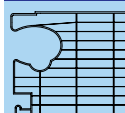
446062 = Traverse profile
493062 = Profile connector for 446062
493082 = Profile connector for 446062
493064 = Profile connector for 446062
493065 = Profile connector for 446062
492042 = Front plate in L = 2.0 m
492043 = Front plate in L = 3.0 m

456001 = Base profile with drainage
493082 = Profile connector for 456001
493006 = Profile connector for 456001
492093 = Front plate in L = 3.0 m
493081 = Profile connector for 492093

902801 = Outer plug gasket TPE grey
902811 = Outer plug gasket TPE black

902902N = Inner lip gasket TPE grey
902912N = Inner lip gasket TPE black

Calculation of panel length:
L in mm = Height H in mm - 80 mm



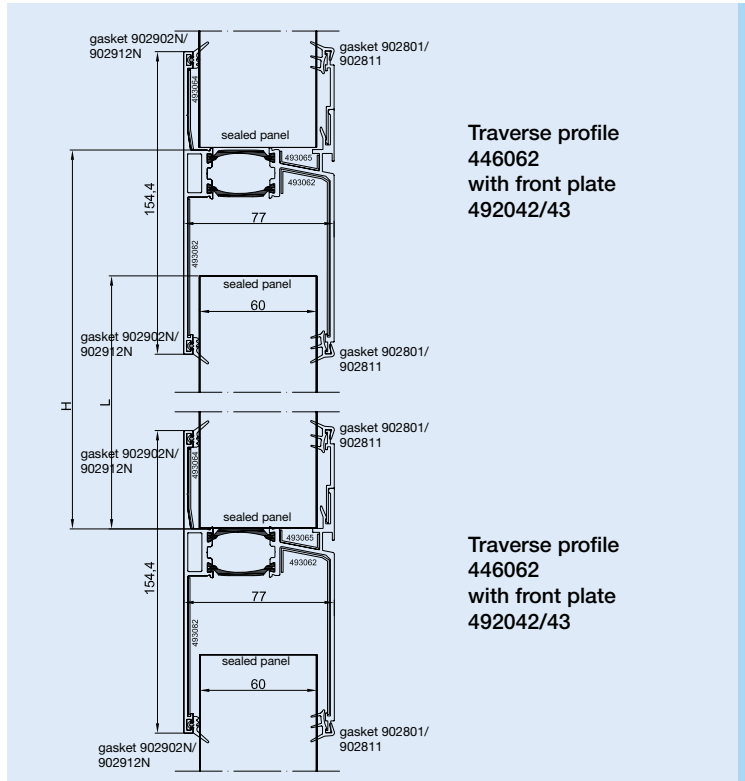
1.3.4.3

Translucent Building Elements

Frame system thermally broken
Top and base framing

Facade 90° up to 12m panel length*

* at Central European temperature conditions



Traverse profile
446062
with front plate
492042/43

Traverse profile
446062
with front plate
492042/43

Traverse profile 446062
Traverse profile 446062

Article numbers

- 446062 = Traverse profile
- 493062 = Profile connector for 446062
- 493082 = Profile connector for 446062
- 493064 = Profile connector for 446062
- 493065 = Profile connector for 446062

- 492042 = Front plate in L = 2.0 m
- 492043 = Front plate in L = 3.0 m

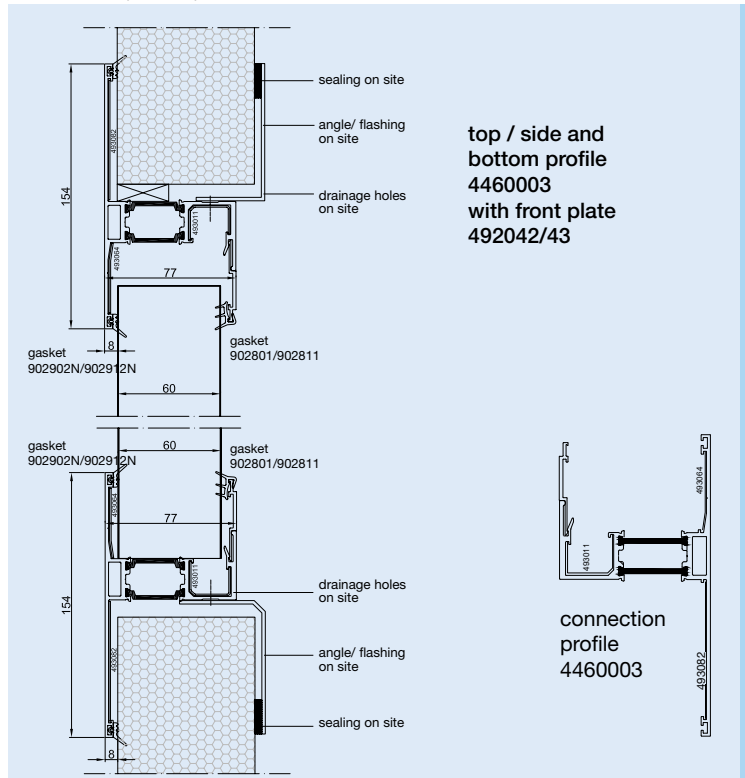
- 902801 = Outer plug gasket TPE grey
- 902811 = Outer plug gasket TPE black

- 902902N = Inner lip gasket TPE grey
- 902912N = Inner lip gasket TPE black

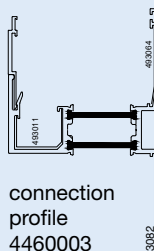
Calculation of panel length:
L in mm = Height H in mm - 60 mm

Facade 90° up to 4.5m panel length*

* at Central European temperature conditions



top / side and
bottom profile
4460003
with front plate
492042/43



connection
profile
4460003

Connection profile 4460003
(for e.g. sandwich panel)

Article numbers

- 4460003 = Connection profile
- 492042 = Front plate in L = 2.0 m
- 492043 = Front plate in L = 3.0 m
- 493082 = Profile connector for 4460003
- 493064 = Profile connector for 4460003
- 493011 = Profile connector for 4460003

- 902801 = Outer plug gasket TPE grey
- 902811 = Outer plug gasket TPE black

- 902902N = Inner lip gasket TPE grey
- 902912N = Inner lip gasket TPE black

Angle or flashings as frame for e.g. sandwich panel on site

Calculation of panel length:
L in mm = Height H in mm - 73 mm

1.3.4.4

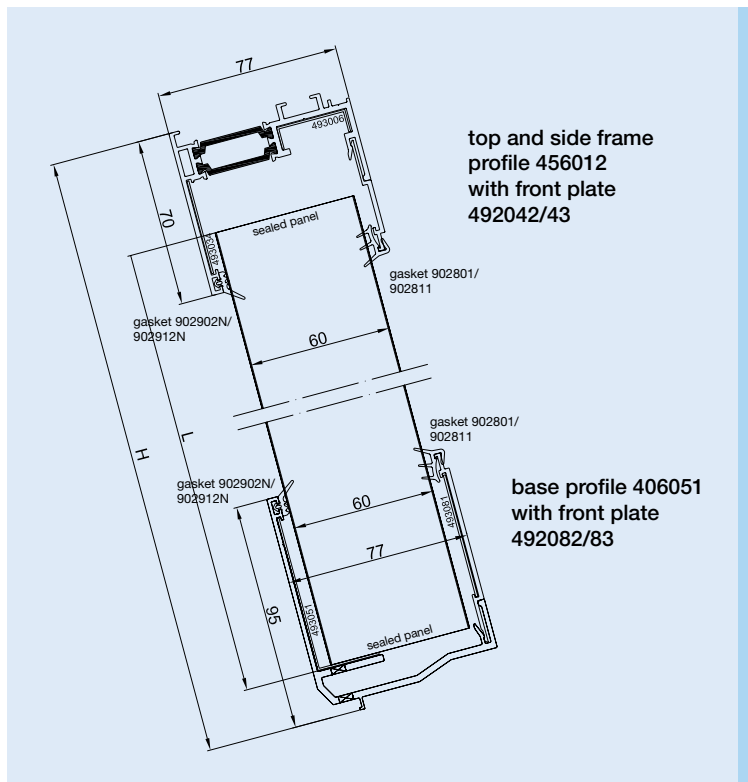
Translucent Building Elements

Frame system thermally broken
Top and base framing

Stand: 05/18

Pitched installation >15° up to 4.5m panel length*

* at Central European temperature conditions



Top profile 456012
Base profile 406051

Article numbers

456012 = Top and side frame profile
493006 = Profile connector for 456012
493034 = Profile connector for 456012

492042 = Front plate in L = 2.0 m
492043 = Front plate in L = 3.0 m

406051 = Base profile
493051 = Profile connector for 406051

492082 = Front plate in L = 2.0 m
492083 = Front plate in L = 3.0 m
493081 = Profile connector for 492082/83

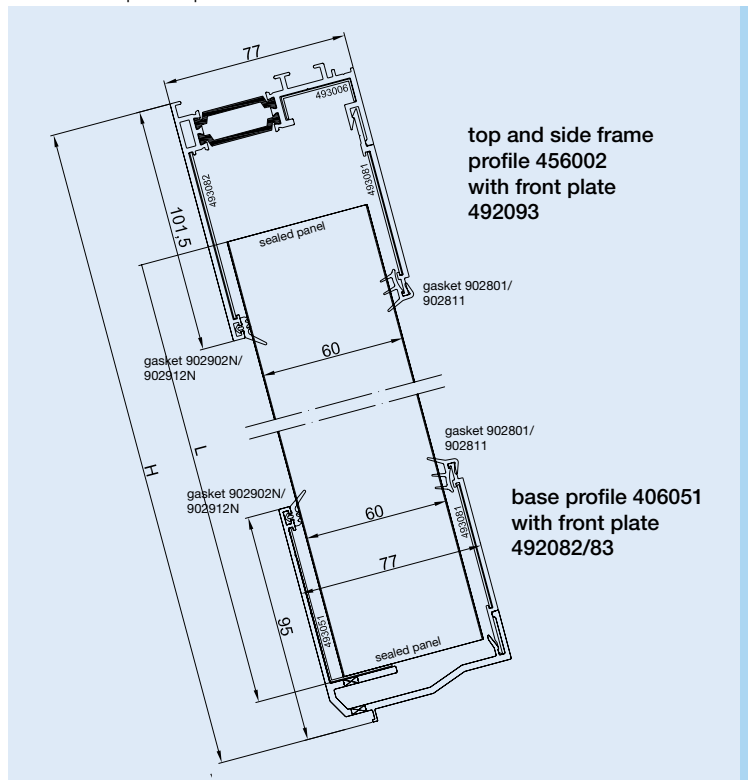
902801 = Outer plug gasket TPE grey
902811 = Outer plug gasket TPE black

902902N = Inner lip gasket TPE grey
902912N = Inner lip gasket TPE black

Calculation of panel length:
L in mm = Height H in mm - **65 mm**

Pitched installation >15° up to 12m panel length*

* at Central European temperature conditions



Top profile 456002
Base profile 406051

Article numbers

456002 = Top and side frame profile
493082 = Profile connector for 456002
493006 = Profile connector for 456002

492093 = Front plate in L = 3.0 m
493081 = Profile connector for 492093

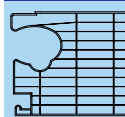
406051 = Base profile
493051 = Profile connector for 406051

492082 = Front plate in L = 2.0 m
492083 = Front plate in L = 3.0 m
493081 = Profile connector for 492082/83

902801 = Outer plug gasket TPE grey
902811 = Outer plug gasket TPE black

902902N = Inner lip gasket TPE grey
902912N = Inner lip gasket TPE black

Calculation of panel length:
L in mm = Height H in mm - **75 mm**

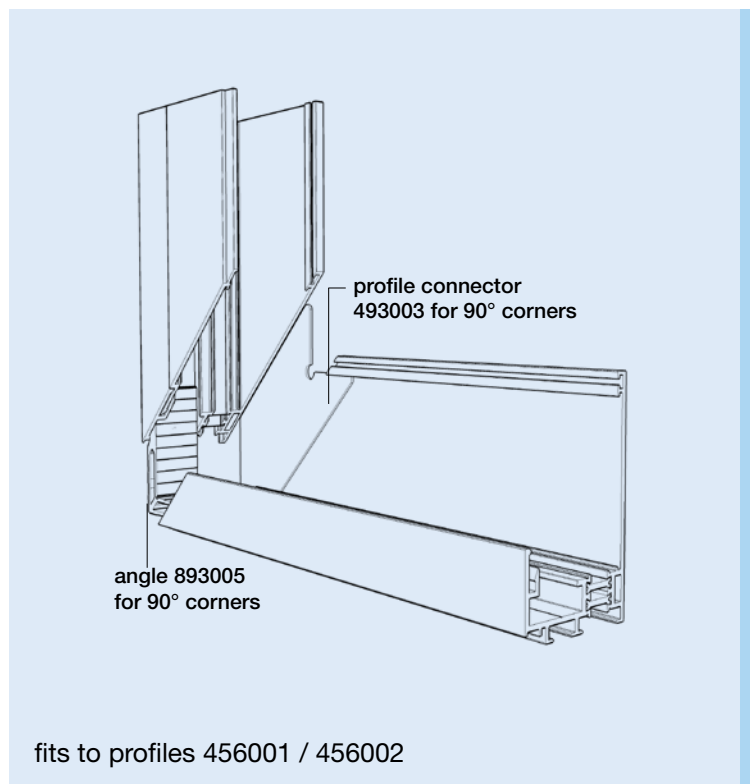


1.3.4.5

Translucent Building Elements

Frame system thermally broken
Corner connection

90° corner connection 456005



General

90° corner connections of the profiles 456002 and 456012 are available as prefabricated components.

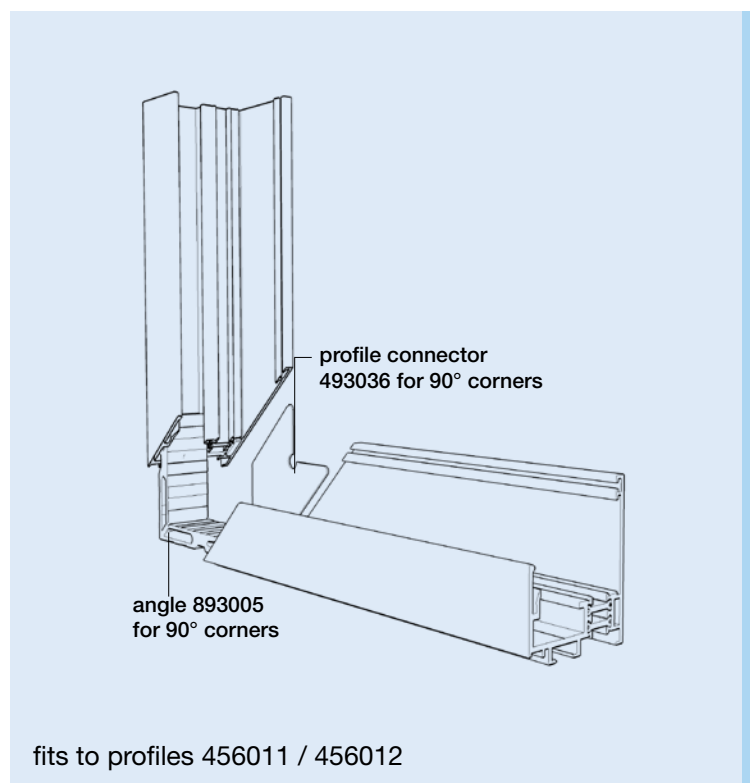
The corner connections are made of 0.55m long frame profiles, incl. front plates. The connections are sealed with profile connectors and sealant and thus save installation time and effort.

Initial lengths/-units

Prefabricated corner profile incl. front plates and profile connectors	1 pc. PU*
Length 0.55 m	1 pc. PU*
Profile connector 493003	4 pcs. PU*
Angle for 90° corner 893005	4 pcs. PU*
TPE gaskets, grey or black or special colour on request	50 m rolls

*PU = Packing unit

90° corner connection 456015



Article numbers

- 456005** = 90° corner connection prefabricated
incl. profile connectors and front plate,
fits to profile 456001 & 456002
- 493003** = profile connector for a 90° corner
of profile 456001/02
- 893005** = angle for a 90° corner of profile
456001/02

- 456015** = 90° corner connection prefabricated
incl. profile connectors and front plate,
fits to profile 456011 & 456012
- 493036** = profile connector for a 90° corner
of profile 456011/12
- 893005** = angle for a 90° corner of profile
456011/12

Versions

- Aluminium - mill finish
- Aluminium - anodized E6/EV1
- Aluminium - powder coated according to RAL

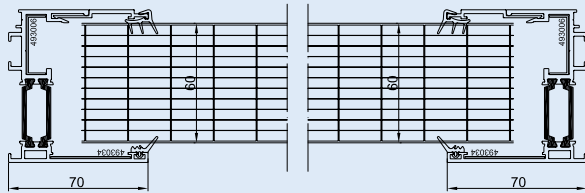
1.3.4.6

Translucent Building Elements

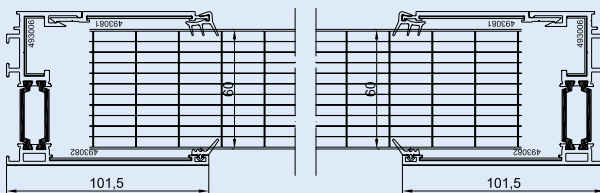
Frame system thermally broken
Lateral framing

Stand: 05/18

Side connection



frame profile 456012
with front plate 492042/43



frame profile 456002
with front plate 492093

Side connection with frame profiles

Article numbers

456012 = Top and side frame profile
493006 = Profile connector for 456012
493034 = Profile connector for 456012

492042 = Front plate in L = 2.0 m
492043 = Front plate in L = 3.0 m

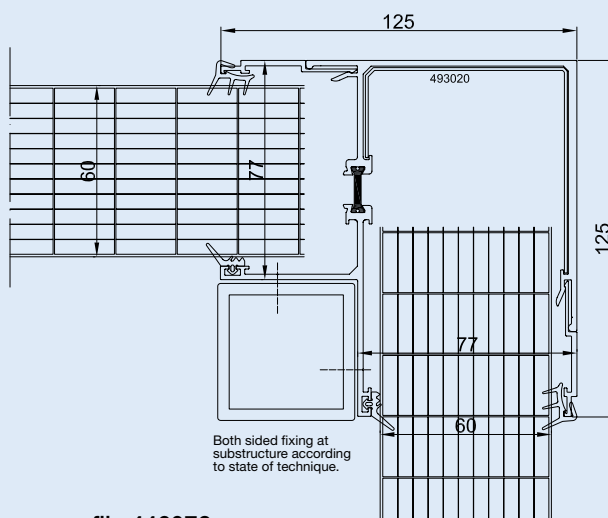
456002 = Top and side frame profile
493082 = Profile connector for 456002
493006 = Profile connector for 456002

492093 = Front plate in L = 3.0 m
493081 = Profile connector for 492093

902801 = Outer plug gasket TPE grey
902811 = Outer plug gasket TPE black

902902N = Inner lip gasket TPE grey
902912N = Inner lip gasket TPE black

Side connection 90° corner



Corner profile 446072

Side connection 90° corner with profile 446072

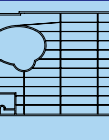
Article numbers

446072 = Corner profile
493020 = Profile connector for 446072

492042 = Front plate in L = 2.0 m
492043 = Front plate in L = 3.0 m

902801 = Outer plug gasket TPE grey
902811 = Outer plug gasket TPE black

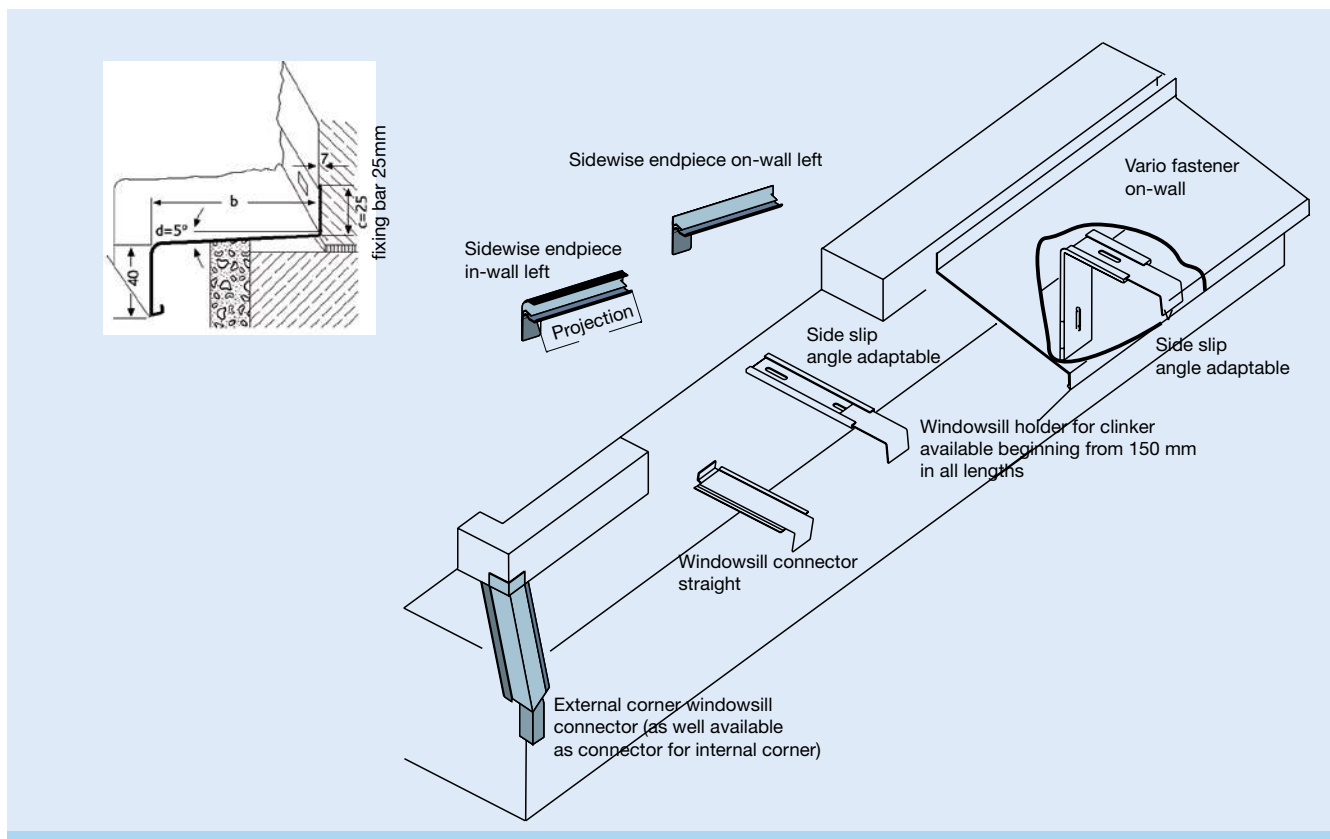
902902N = Inner lip gasket TPE grey
902912N = Inner lip gasket TPE black



1.3.5.0

Translucent Building Elements

Windowsills and accessories



Installation manual - Windowsill products

Please note before installing:

- Thermal expansion of the profiles:
Windowsills over 3,000 mm long must be divided in the middle and extended through a connection joint. The windowsills must be sufficiently fastened to the frame and be tight against rain water. The possibility for the windowsill to expand must be made sure depending on length.
- For sound insulation during heavy rains we recommend to provide windowsills with a sound absorptive stripe. The sound absorptive area should be around 1/3 of the windowsill area.
- For on-site fixing of windowsill on the profile (non-RODECA profile) of the windows the self-sealing gasket (black or white) is to be used.
- Aluminium windowsills should project about 40 mm over the finished facade. The profile width should be measured accordingly. This applies only for installations with side endings. Without side endings the projection of windowsills should not be lower than 20mm.
- From a projection/profile depth of 150 mm holders (Vario fastener or clinker fastener) are necessarily to be used on the structure (every 800 to 1,000 mm).

Note for installation:

Before installation of the side elements stick the sound absorptive stripes approx. 50 mm behind the beginning of the drip edge on the bottom side of the windowsill profile.

Please don't forget to leave free approx. 30 mm on the front sides of the windowsill in order to be able to install the side elements.

On the predrilled (perforated) side of the windowsill insert the gasket, check the straight and precise seating of the rubber profile and remove the cover strip from the adhesive surface. (This does not apply to assemblies with RODECA profiles)

Before screwing the windowsills, if using Rodeca profiles, the base profile and chosen adapter are installed to the supporting substructure. The side elements are to be clipped on in advance. After clipping on the side elements and fastening the windowsill, seal the connection points all around. Please leave at least 5 mm on each side of the windowsill for the thermal expansion.

If implementing full thermal protection it is important to make sure that the vario fastener is fixed before placing the insulation to the masonry. This also applies if using the holder for clinker installation.

The windowsill with the protective foil side at the top is to be fixed at the edge of the window using windowsill screws*. The foil may not be covered while assembling the connector elements. Make sure to provide the final windowsill slope of at least 5° after the assembly. When plastering the side elements please check the presence of expansion joint and keep in mind the thermal expansion of aluminium. Coarse mortar and plaster remnants must be removed immediately from the protective foil. After completion of the facade work in the windowsill area, the protective foil has to be removed as quickly as possible.

* Size of the screw head – 3.9 mm

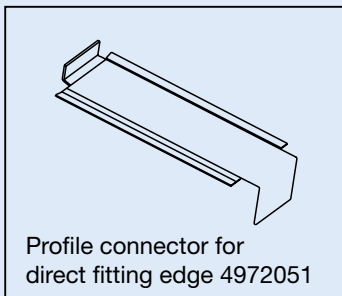
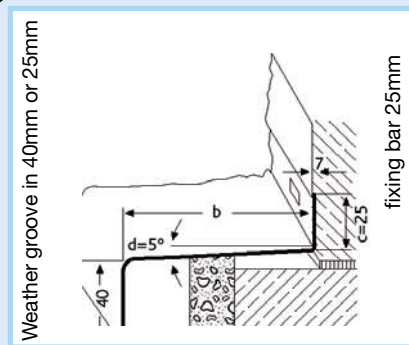
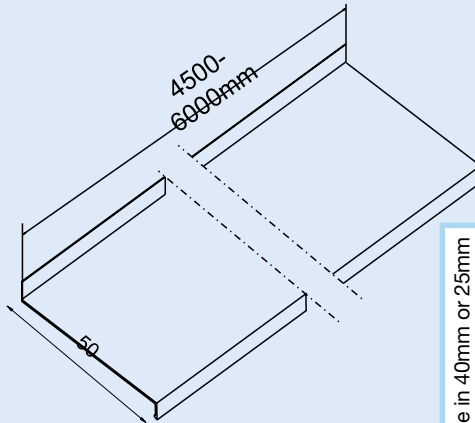
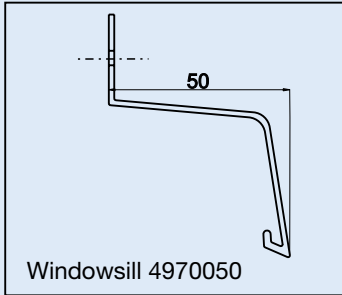
1.3.5.1

Translucent Building Elements

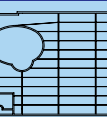
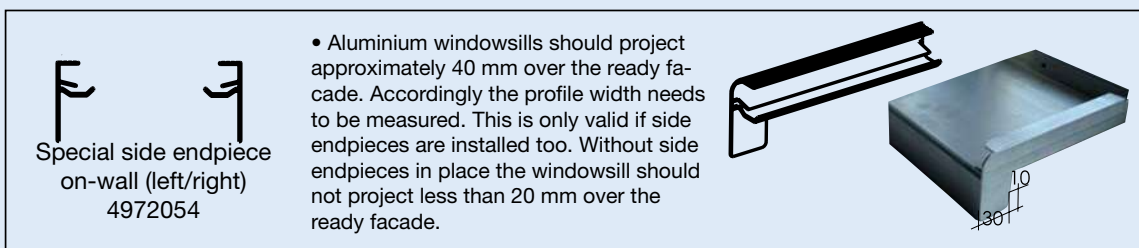
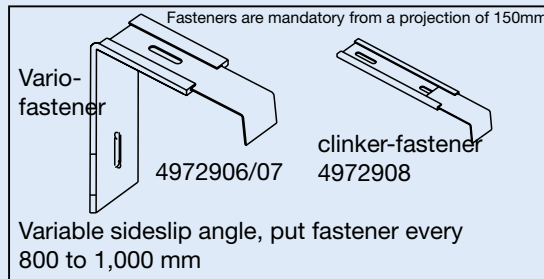
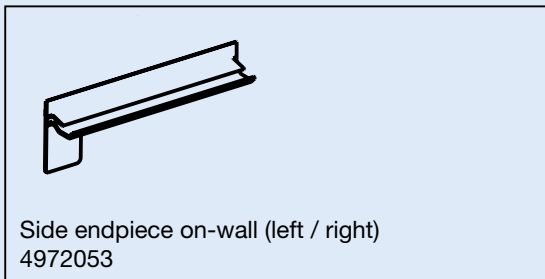
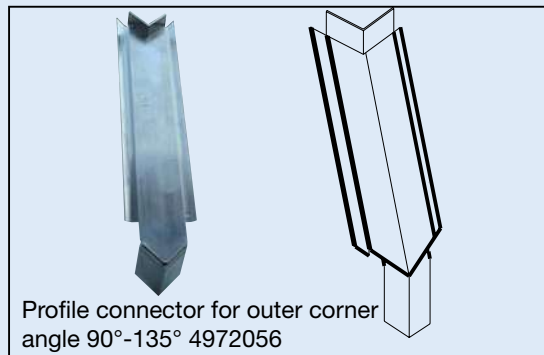
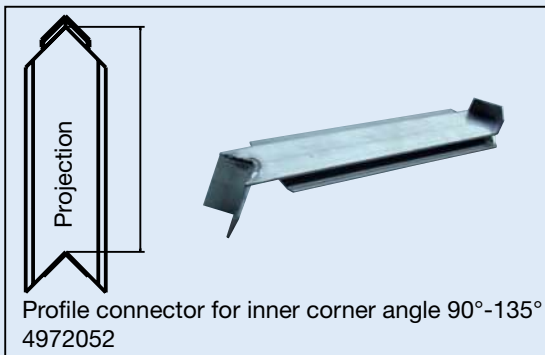
Windowsills and accessories

Stand: 05/18

Example for construction group:



Example: article numbers for a 50 mm windowsill projection:

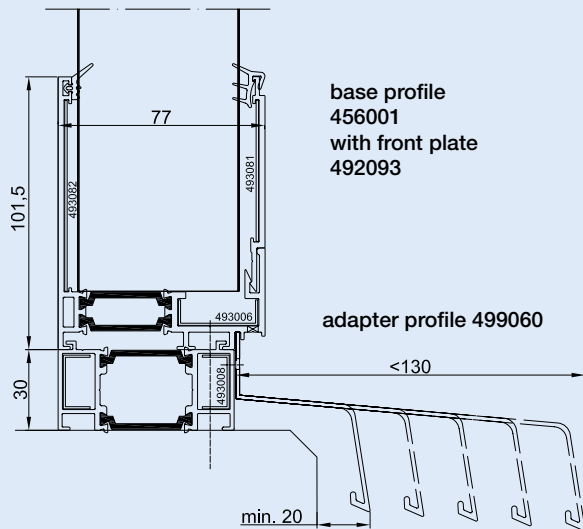


1.3.5.2

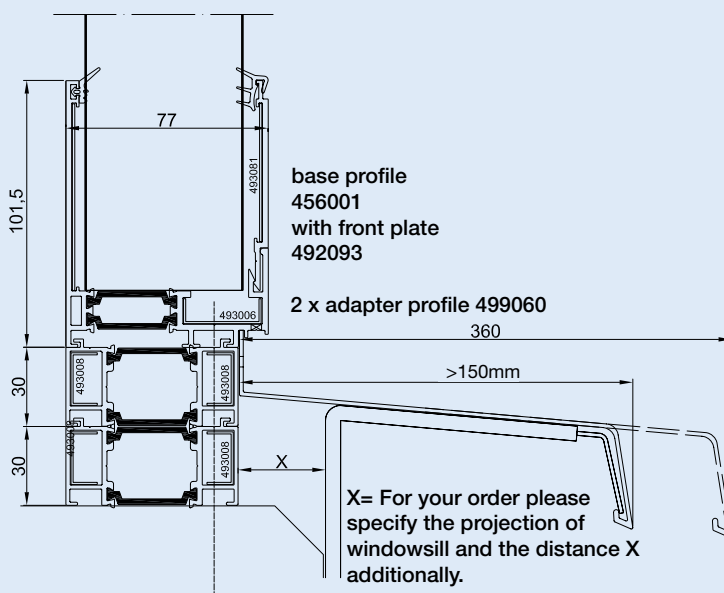
Translucent Building Elements

Windowsills and accessories

Aluminium windowsills for thermally broken frame profiles with adapter profiles



Base profile 456001 (also 456011) with adapter profile 499060 for windowsill projections from 50 mm to 130 mm.



Base profile 456001 (also 456011) with 2 x adapter profile 499060 for windowsill projections from 150 mm to 360 mm.

General

Compatible to thermally broken frame profiles we offer a suitable adapter profile for connection of windowsills with varying projections.

Initial lengths/-units

Aluminium profile	6.00 m
Profile connector	10 cm

Article numbers

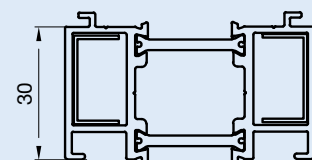
4971070 = windowsill 70 mm projection
4971110 = windowsill 110 mm projection
4971150 = windowsill 150 mm projection

windowsills with 70 mm / 110 mm / 150 mm projection available from stock

499060 = thermally broken adapter profile for profile 456001
493008 = profile connector for 499060

For use with adapter profile 499060 the allowance for calculation of panel length must be increased by 30 mm per adapter profile.

Aluminium windowsills should project approx. 40 mm over facade. This applies only if side end pieces are installed. Without side end pieces the windowsill must project 20 mm over facade.



adapter profile 499060

